

Product Description

MAHER™ DFA200 Series emergency relief vents are designed to provide an opening for storage tanks when exposed to overpressure that are not handled by standard tank vents. These vents provide the capacity to meet API standard 2000 for emergency venting due to fire exposure when properly sized. These vents also provide quick easy access for tank inspection and maintenance.

When excessive pressure builds within the storage tank the DFA200 Series emergency pressure relief vent hinged cover begins to open at the predetermined set pressure, relieving excess pressure. When overpressure has dissipated, the cover reseats onto the base. The hinge mechanism prevents misalignment and provides an accurate reseal.

Features

- Hinged cover provides a fixed pivot point, ensures proper reseating and added safety.
- Cover cannot separate from the base.
- Easily lifted open to provide a large, unobstructed passage for easy tank access.
- O-ring on diaphragm and air cushion ensures minimum vapor leakage

- Durable PTFE seal backed by a non-asbestos cushion disc for added resiliency and reduced leakage.
- PTFE diaphragm protects the cushion disc from direct contact with tank vapors in chemical and low temperature applications.
- Carbon steel units have steel bases with a welded and machined stainless steel tip on the nozzle perimeter to ensure a corrosion resistant seating surface.
- Optional stainless steel bases for chemical and low temperature applications.
- Flange mounting dimensions conform to either API 650 or ANSI 150#.

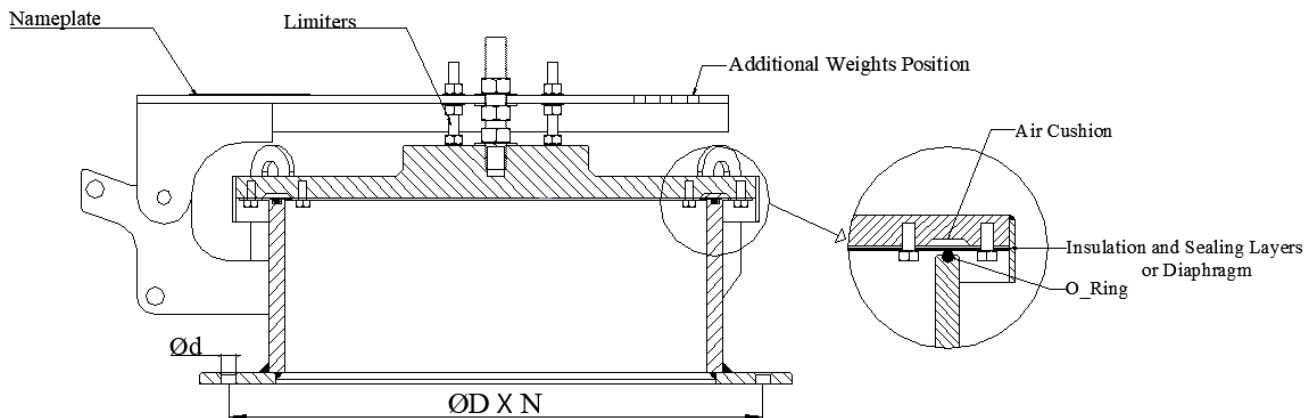
Specifications

The Specifications section lists the general specifications for the Emergency Vent Door. The following information is stamped on the nameplate attached to the arm of the equip: Flange Size, Standard, Setting Pressure, Body Material, Leakage Threshold in percent of set pressure and manufacturers data.

Item	Specification	Description
1	Connection Flange Size(NPS or API)	16, 18, 20, 24
2	Pressure Setting(mbar)	5 to 160
3	Operational Temperature(C)	-28 to 80
4	Body Material	Carbon steel, 304 Stainless steel, 316 Stainless steel
5	Pallet Material	Carbon steel, 304 Stainless steel, 316 Stainless steel, Aluminum
6	Diaphragm Material	PTFE, FEP, non-asbestos insulator
7	O-Ring Material	NBR, FKM, EPDM
8	Painting	All non-corrosion resistant portions to be painted with corrosion resistant epoxy paint
9	Packaging	Wooden Box

- Custom design specifications including flange size, setting pressure and material Acc. To Request could be manufactured.

Overall Size



Standard	Size inch	D(mm)		N Number of Bolts
		Bolts circle Diameter	Bolts Hole Diameter	
API	20	597	19	16
	24	698	19	20
ANSI	16	540	25	16
	18	578	32	16
	20	635	32	20
	24	749	32	20

- Custom Flange Sizes Acc. To Request could be manufactured.

نشانی: اصفهان- بلوار دانشگاه صنعتی اصفهان- شهرک علمی و تحقیقاتی اصفهان- پارک علم و فناوری شیخ بهایی- سوله شماره ۲۰- شرکت پیشرو گاز ماهر
 تلفن: ۰۳۱۳۳۹۳۱۰۶۰
 فکس: ۰۳۱۳۳۹۳۱۰۵۹